

# RS-540RH/SH



Carbon-brush motors

**OUTPUT : 5.0W~90W (APPROX)**

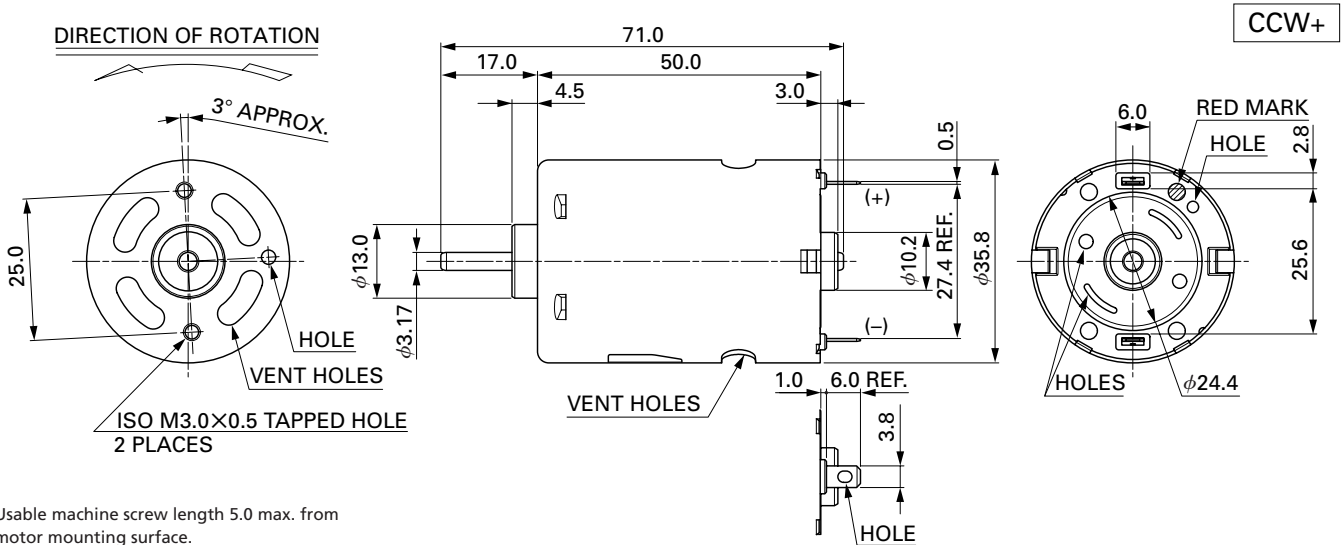
**WEIGHT : 160g (APPROX)**

**Typical Applications** Home Appliances : Vacuum Cleaner  
 Cordless Power Tools : Drill / Screwdriver / Cordless Garden Tool / Air Compressor  
 Toys and Models : Radio Control Model

| MODEL              | VOLTAGE         |               | NO LOAD        |              | AT MAXIMUM EFFICIENCY |              |                |                | STALL       |                |                |              |
|--------------------|-----------------|---------------|----------------|--------------|-----------------------|--------------|----------------|----------------|-------------|----------------|----------------|--------------|
|                    | OPERATING RANGE | NOMINAL       | SPEED<br>r/min | CURRENT<br>A | SPEED<br>r/min        | CURRENT<br>A | TORQUE<br>mN-m | TORQUE<br>g-cm | OUTPUT<br>W | TORQUE<br>mN-m | TORQUE<br>g-cm | CURRENT<br>A |
| RS-540RH-6530 (*1) | 3.6~6.0         | 6V CONSTANT   | 19200          | 1.30         | 15980                 | 6.45         | 15.1           | 154            | 25.3        | 90.3           | 920            | 32.0         |
| RS-540RH-7522 (*1) | 3.6~4.8         | 4.8V CONSTANT | 20200          | 1.90         | 16510                 | 8.50         | 14.3           | 146            | 24.8        | 78.5           | 800            | 38.0         |
| RS-540SH-7520 (*1) | 4.8~7.2         | 7.2V CONSTANT | 23400          | 2.40         | 19740                 | 13.0         | 30.6           | 312            | 63.2        | 196            | 1998           | 70.0         |
| RS-540SH-6527 (*1) | 4.8~9.6         | 9.6V CONSTANT | 23400          | 1.60         | 20040                 | 9.55         | 31.0           | 316            | 64.9        | 216            | 2202           | 57.0         |

(\*1) CCW shifted commutation (CCW+)

The terminal position against the tapped holes varies depending on CW+/NEUTRAL.



Usable machine screw length 5.0 max. from motor mounting surface.

UNIT: MILLIMETERS

